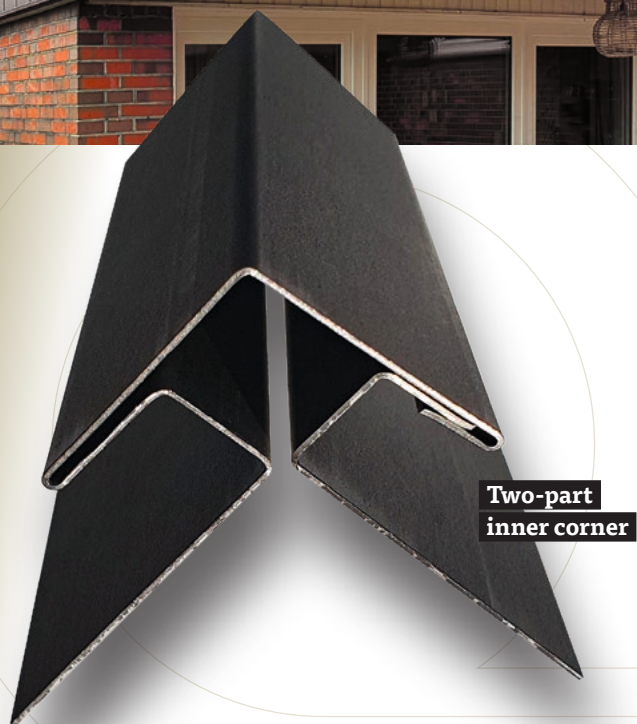


ACCESSORY PARTS FOR
FAÇADE PROFILES
**NO SUCH THING
AS "CAN'T"**



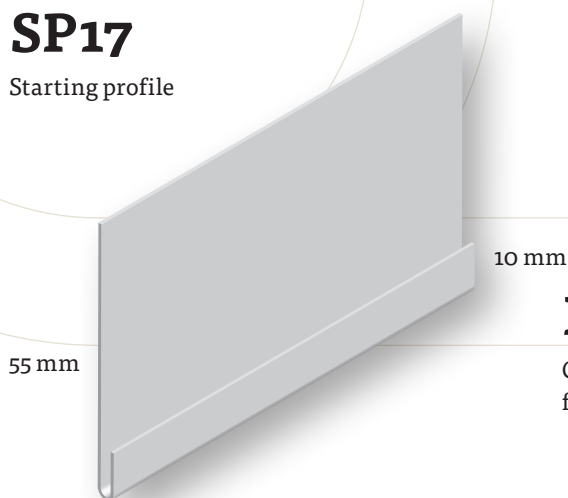
ACCESSORY PARTS FOR FAÇADE PROFILES

No matter what kind of façade cladding you are looking for, we have exactly the right solution for you. You're sure to find exactly what you need for your project among the many standard edging products. Otherwise, simply ask us for special individual edging.

You can take it for granted that special edging is possible. Simply ask us!

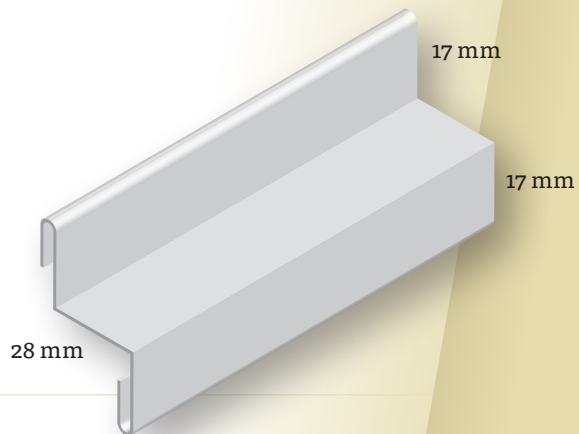
SP17

Starting profile



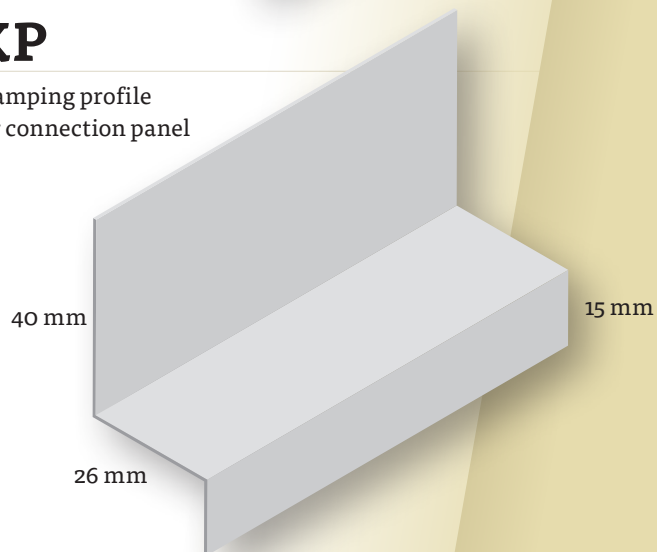
AP17

End profile



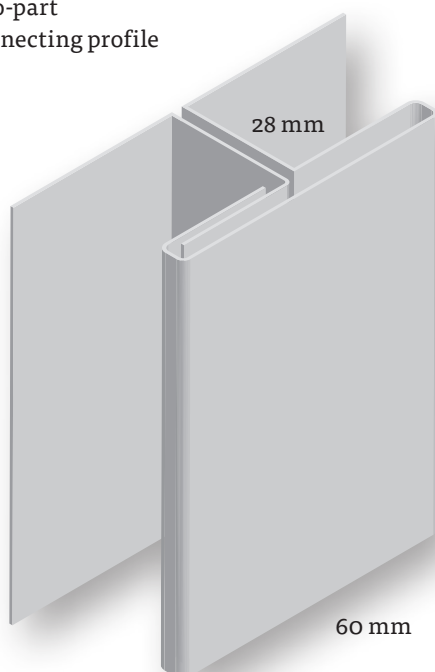
KP

Clamping profile for connection panel



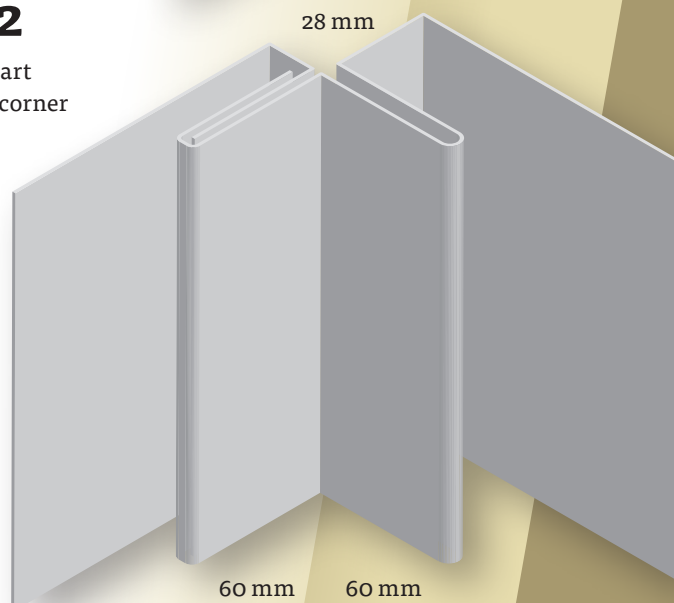
VP2

Two-part connecting profile



IE2

Two-part inner corner



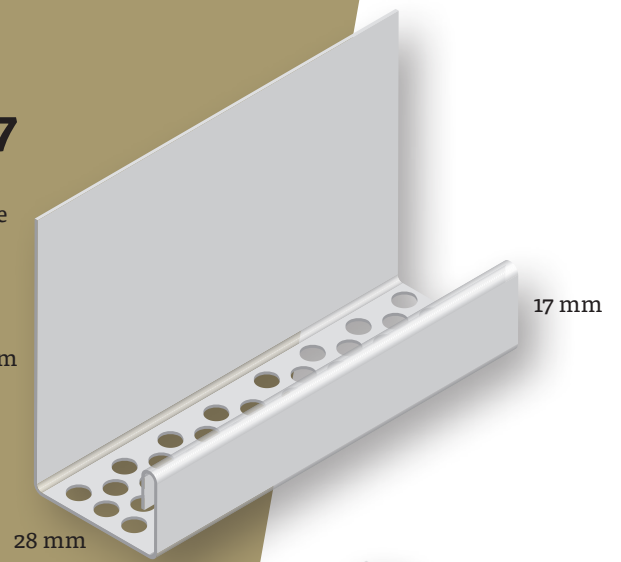
EP17

Push-in profile



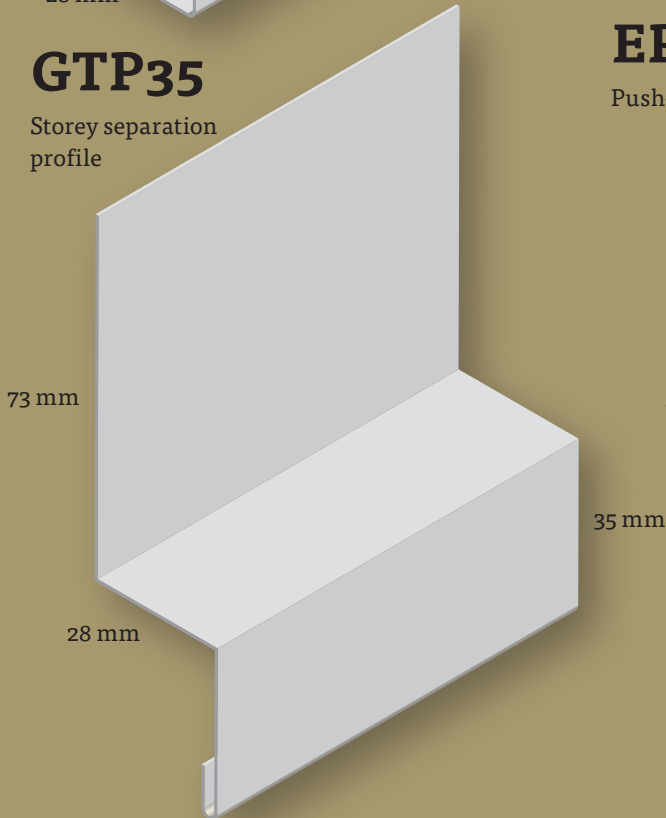
EPG17

Perforated push-in profile



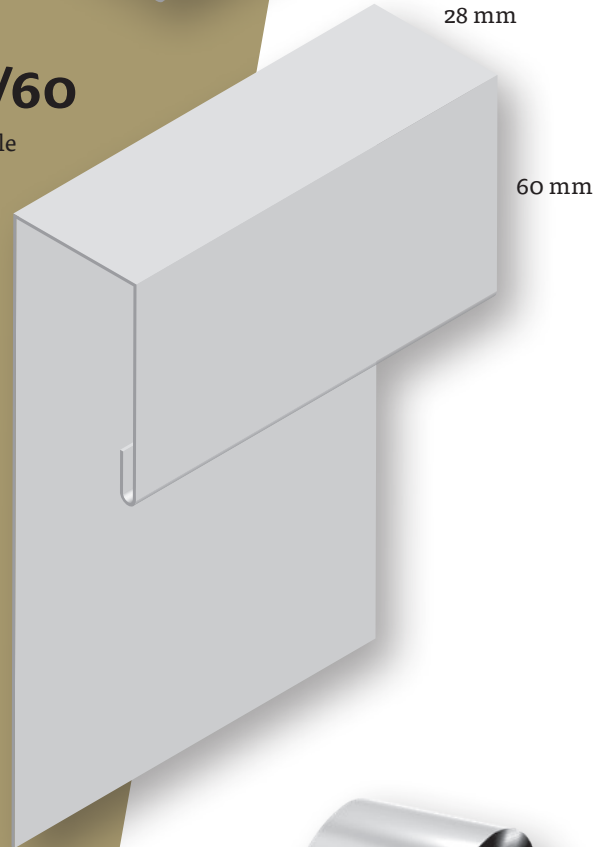
GTP35

Storey separation profile



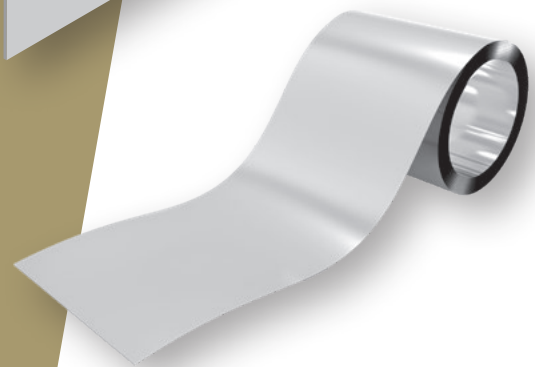
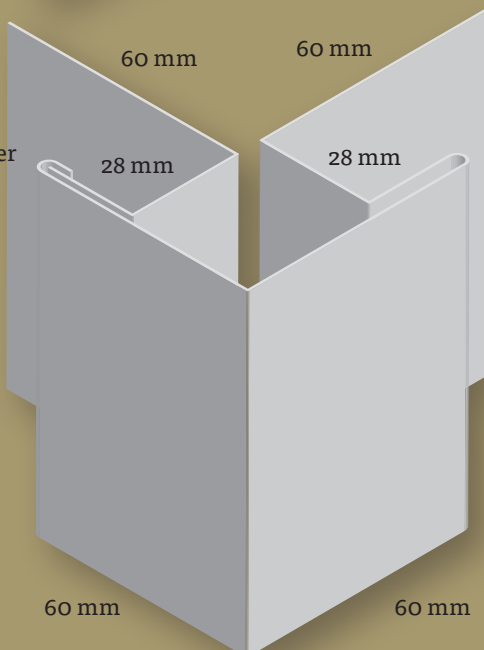
EP45/60

Push-in profile



AE2

Two-part outer corner



EB1000

Augmenting tape
1000 x 1.0 mm as needed

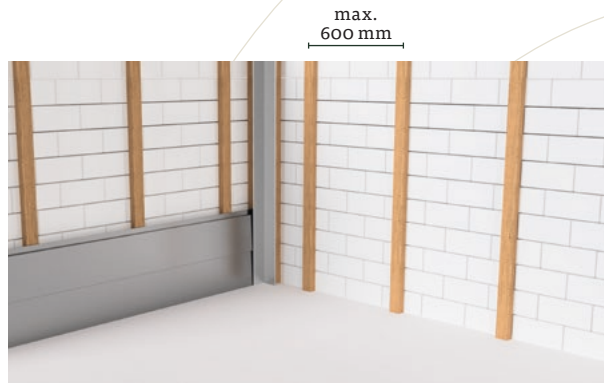
EB333

Augmenting tape
333 x 1.0 mm as needed

INSTRUCTIONS

Substructure

Safe installation and precise fastening requires a correctly aligned substructure made of lathing larger than 4 x 6 cm. The maximum lath spacing is 60 cm, with max. 20 cm to corners and edge strips. Counterlathing is necessary for vertical installation. The backing structure is usually protected by a water-proof vapour-permeable film!



Installation

Both horizontal and vertical installation of the panels is possible. Depending on the laying pattern, begin with the edge surrounds (EPG17/EP17/SP1) or start profiles. Install the panels. Allow sufficient space for elongation between the edge surrounds and the panels.



Use the screw (SB35) and the oblong holes to fasten the panels. Do not tighten the screw too tight. Please use the profiles AE2/IE2 for corners. The profiles VP2/GTP are suitable for façade extensions.



Rear ventilation

It is very important to allow for rear ventilation of the façade. This prevents condensation and protects the structure.

The ventilation openings at the bottom and top of the façade must measure min. 50 cm² per 1 m wall length.



QCC-METAL.DE

Böseler Straße 29 · 49681 Garrel
T 04474 5081414 · M 0173 3054810
info@qcc-metal.de · qcc-metal.de